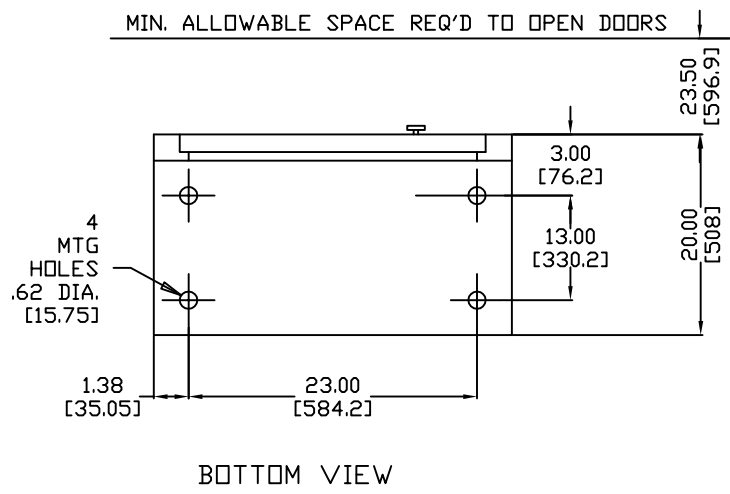
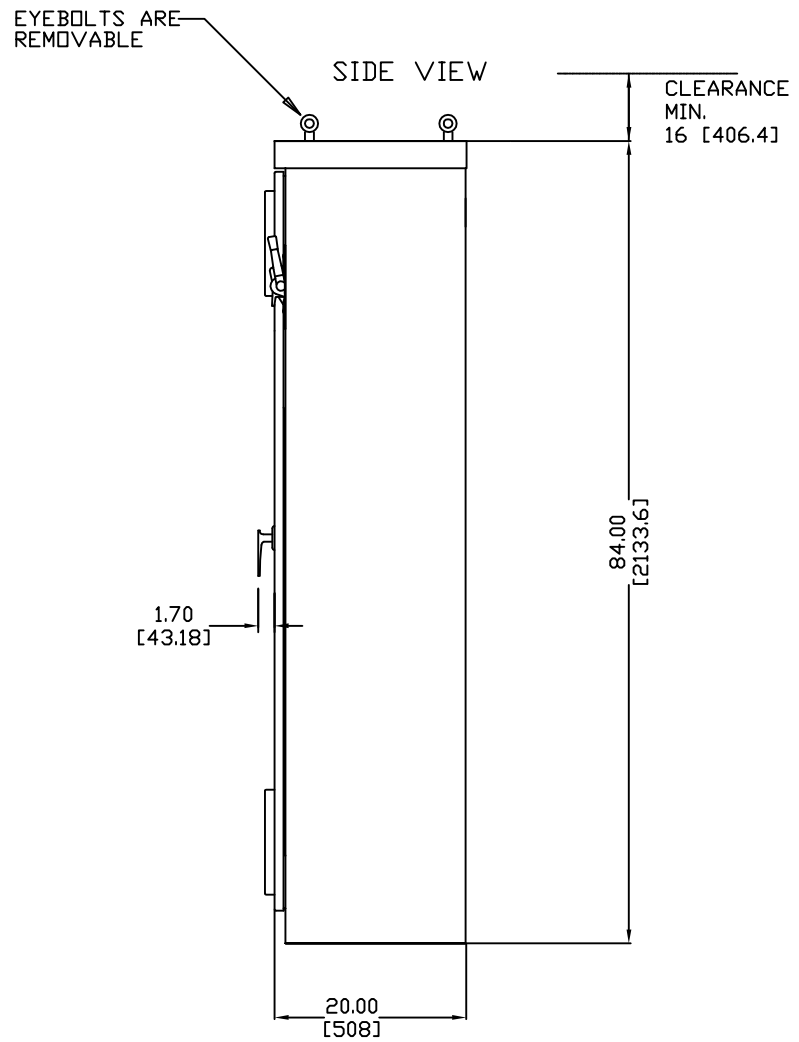
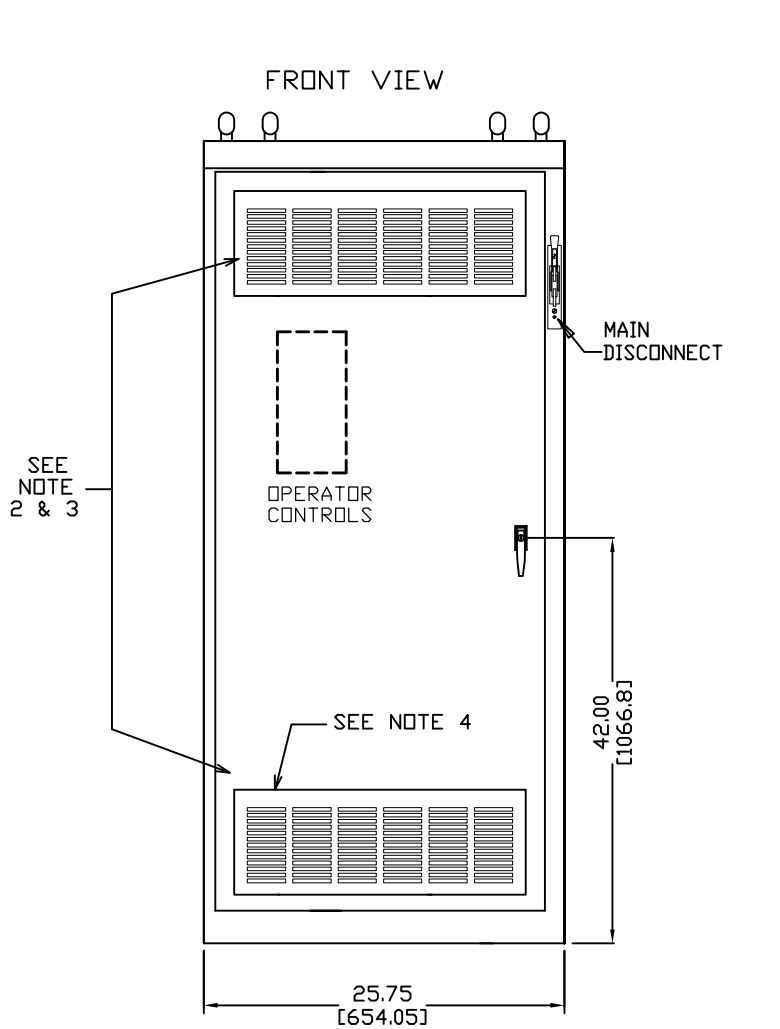


FOR REFERENCE ONLY UNLESS PROPERLY ENDORSED.



NOTES:

1. DIMENSIONS ARE IN INCHES AND [MM].
2. NON-VENTILATED ENCLOSURE (NEMA 12), NO SLOTS IN DOOR.
3. VENTILATED ENCLOSURE (NEMA 1), DOORS SLOTTED TOP AND BOTTOM AS REQUIRED.
4. FILTERED AIR INTAKE (NEMA 1 & 12), ADAPTS EXTERNALLY TO DOORS AS REQUIRED.

PROJECT NAME: _____
 SYSTEM/TAG # _____
 MODEL # _____
 HP: _____
 AMPS: _____
 VOLTS: _____
 WEIGHT: _____

	DRAWN: JJS	DATE: 5/27/08	TITLE: DIMENSION DIAGRAM	
	CHECKED: MKK	DATE: 5/27/08	1DR FLOOR MTD ENCLOSURE	
<p><i>THIS DOCUMENT AND INFORMATION CONTAINED IN IT ARE CONFIDENTIAL, AND CANNOT BE COPIED OR DISCLOSED IN WHOLE OR IN PART WITHOUT THE EXPRESS WRITTEN CONSENT OF YASKAWA ELECTRIC AMERICA INC.</i></p>	TECH:	DATE:	SIZE: C	REVISION: R01
	APPROVED: JZ	DATE: 5/27/08	PAGE: 01 of 01	
	ORIGINAL DESIGN: P. STOCKUS	DATE: 12.18.07	DRAWING #: DD.AFD.183.01	